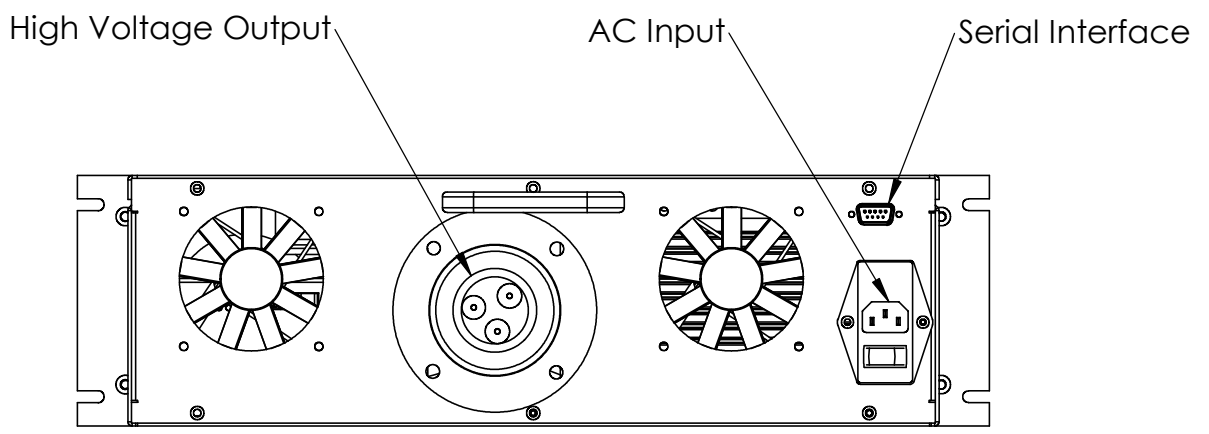
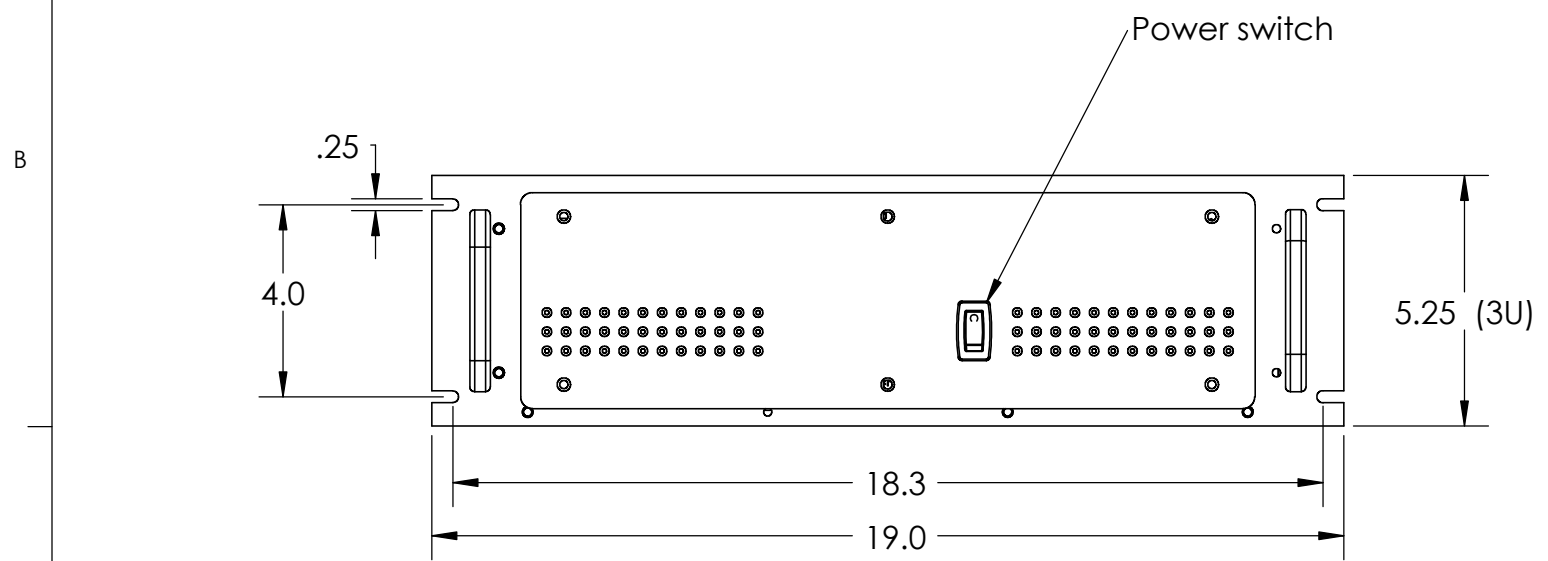


19" RACK MOUNT CHASSIS, 3U HEIGHT



**PROPRIETARY AND CONFIDENTIAL**  
 THE INFORMATION CONTAINED IN THIS DRAWING IS THE SOLE PROPERTY OF CPS. ANY REPRODUCTION IN PART OR AS A WHOLE WITHOUT THE WRITTEN PERMISSION OF CPS IS PROHIBITED.

UNLESS OTHERWISE SPECIFIED:		NAME	DATE	<b>Computer Power Supply</b>	
DIMENSIONS ARE IN INCHES		DRAWN	M.W.		TITLE:  3601 ASSEMBLY
TOLERANCES:		CHECKED			
FRACTIONAL ±		ENG APPR.			
ANGULAR: MACH ± BEND ±		MFG APPR.			
TWO PLACE DECIMAL ± .015		Q.A.		SIZE DWG. NO. REV <b>B</b> 3601-00-0001 <b>0</b>	
THREE PLACE DECIMAL ± .005		COMMENTS:			
INTERPRET GEOMETRIC TOLERANCING PER:				SCALE: 1:4	
MATERIAL				WEIGHT:	
FINISH				SHEET 1 OF 1	
DO NOT SCALE DRAWING					