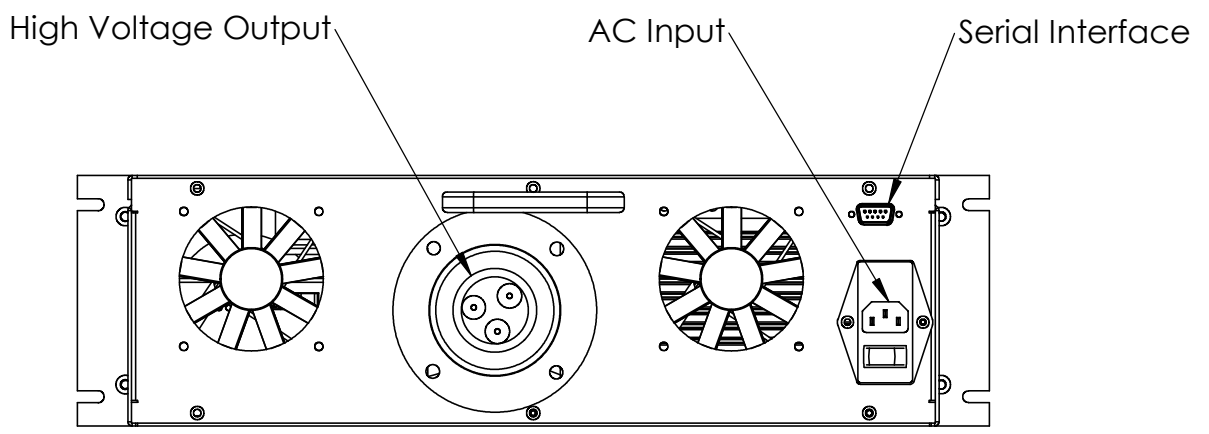
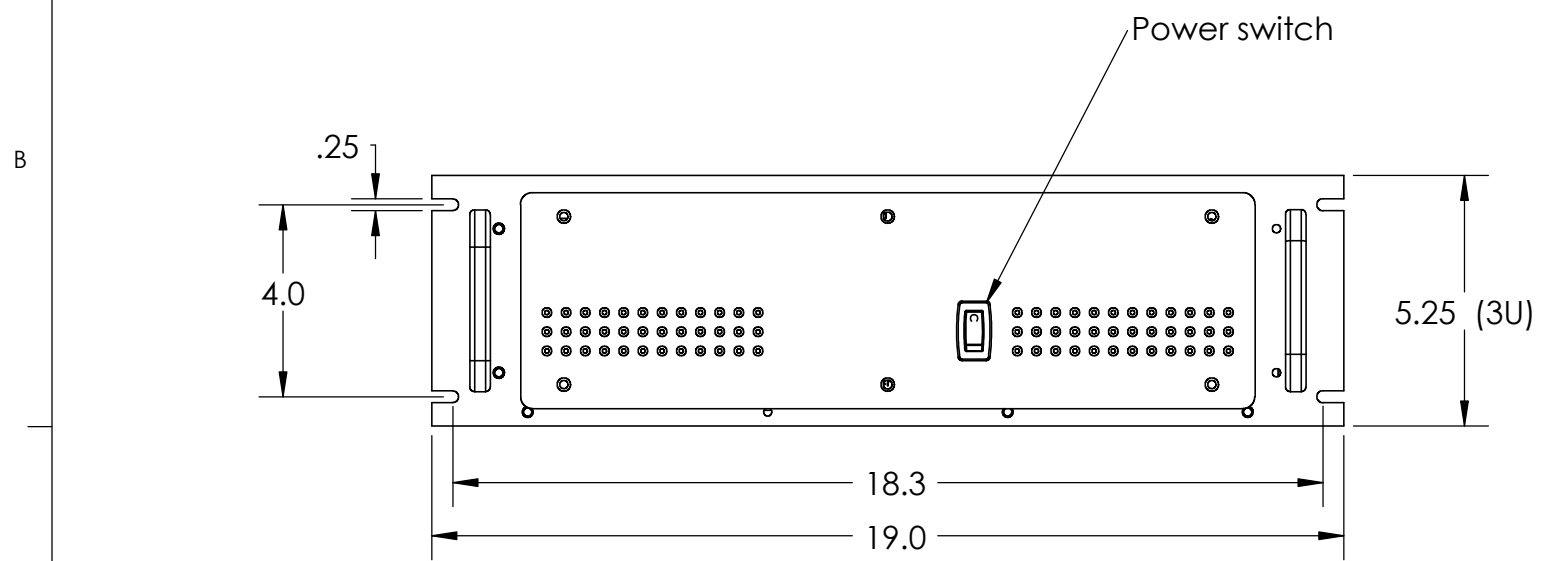


19" RACK MOUNT CHASSIS, 3U HEIGHT



PROPRIETARY AND CONFIDENTIAL
 THE INFORMATION CONTAINED IN THIS DRAWING IS THE SOLE PROPERTY OF CPS. ANY REPRODUCTION IN PART OR AS A WHOLE WITHOUT THE WRITTEN PERMISSION OF CPS IS PROHIBITED.

UNLESS OTHERWISE SPECIFIED:		NAME	DATE	Computer Power Supply TITLE: 3601 ASSEMBLY	
DIMENSIONS ARE IN INCHES		DRAWN	M.W.		12/15/2009
TOLERANCES:		CHECKED			
FRACTIONAL ±		ENG APPR.			
ANGULAR: MACH ± BEND ±		MFG APPR.			
TWO PLACE DECIMAL ± .015		Q.A.			
THREE PLACE DECIMAL ± .005		COMMENTS:			
INTERPRET GEOMETRIC TOLERANCING PER:					
MATERIAL					
FINISH					
DO NOT SCALE DRAWING		SIZE	DWG. NO.	REV	
		B	3601-00-0001	0	
		SCALE: 1:4	WEIGHT:	SHEET 1 OF 1	